

## Description

Single pole three-position switch with latching or momentary switch functions. Featuring a soft-touch contoured rocker actuator with optional illumination. The 3131 is sealed to provide IP66 rated front of panel water splash protection.

## Typical applications

Household appliances, electrical tools, mobile homes, watercraft, construction vehicles, medical equipment

## Ordering Information

<b>Type number</b>	
<b>3131</b>	Single pole switch (3 positions)
<b>Function</b>	
<b>B</b>	3-position switch single pole, switching function
<b>D</b>	3-position switch single pole, momentary switch function
<b>E</b>	latching switch under window 1, momentary switch under window 2
<b>F</b>	momentary switch under window 1, latching switch under window 2
<b>Mounting</b>	
<b>F</b>	flange mounting
<b>Accessories</b>	
<b>1</b>	with sealing IP66
<b>Terminal design</b>	
<b>N</b>	blade terminals 2x2.8x0.8 EN 60934
<b>Characteristic curve</b>	
<b>Q</b>	switch only,
<b>Actuator style</b>	
<b>0</b>	without actuator rocker X3131-W... must be ordered separately
<b>Actuator colour</b>	
<b>0</b>	without actuator
<b>Rocker legends</b>	
<b>00</b>	without
<b>Rocker marking</b>	
<b>0</b>	without
<b>Orientation</b>	
<b>0</b>	without
<b>Illumination</b>	
<b>0</b>	without
<b>2</b>	two LEDs, full illumination in position 1 and 2, dimmed illumination in position 0
<b>Type of illumination</b>	
<b>0</b>	without illumination
<b>T</b>	blue LED
<b>Y</b>	yellow LED
<b>Illumination voltage range</b>	
<b>0</b>	without illumination
<b>2</b>	10 - 14 V DC
<b>3</b>	20 - 32 V DC
<b>Current ratings</b>	
<b>20 A</b>	
<b>3131 - B F 1 N Q - 0 0 00 0 - 2 Y 3 - 20A</b>	ordering example

**NEW**



**3131**  
Three-position switch

## Technical data

For further details please see chapter: **Technical Information**

Voltage rating	DC 32 V
Current rating	20 A
Typical life	30,000 operations at 1 x I <sub>N</sub> , inductive
Ambient temperature	-20...+60 °C (-4...+140 °F)
Insulation co-ordination (IEC 60664)	2.5 kV/2 re-inforced insulation in the operating area
Dielectric strength	
operating area	test voltage AC 3,000 V
current path/current path	test voltage AC 1,500 V
Insulation resistance	> 100 MΩ (DC 500 V)
Protection class (IEC 60529)	operating area IP66 terminal area IP00
Vibration	5 g (57-500 Hz) ± 0.38 mm (10-57 Hz) test to IEC 60068-2-6, test Fc, 10 frequency cycles/axis
Shock	25 g (11 ms), test to IEC 60068-2-27, test Ea
Corrosion	96 hours at 5 % salt mist, test to IEC 60068-2-11, test Ka
Humidity	240 hours at 95 % RH, test to IEC 60068-2-78, test Cab
Mass	approx. 30 g

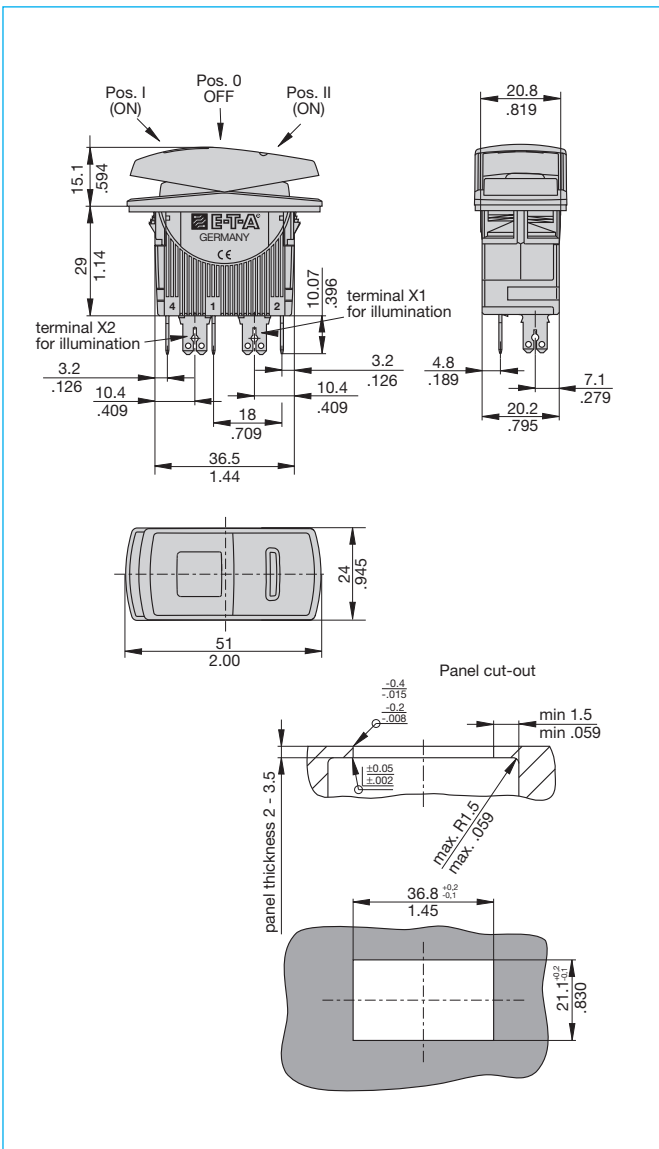
## Illumination voltage / power consumption

Operating voltage	Power consumption
	LED
12 V	10 mA
24 V	10 mA

## Approvals

<b>Authority</b>	
UL 1500	Ignition Protected

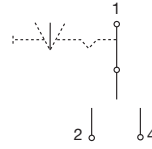
## Dimensions



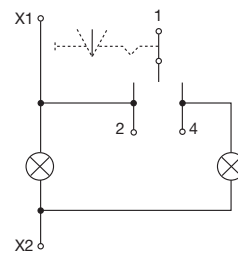
## Internal connection diagrams

### latching switch

without illumination

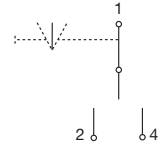


with illumination

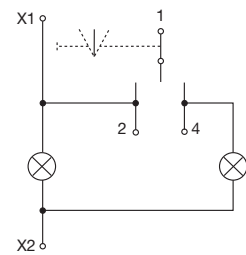


### momentary switch

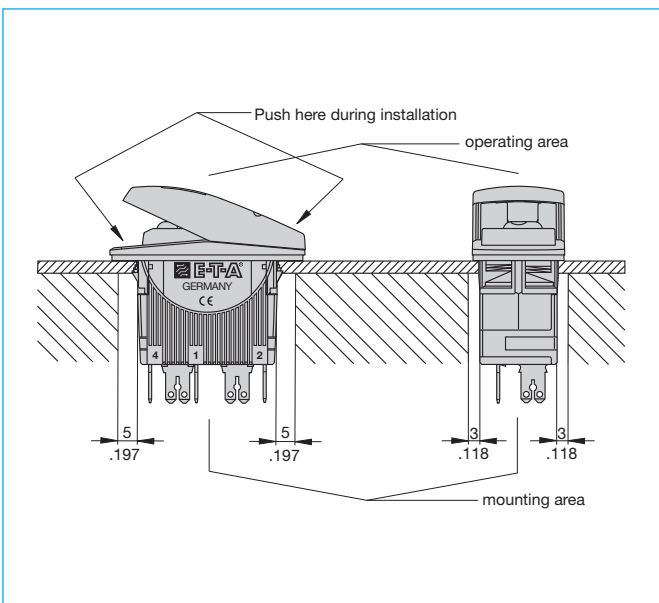
without illumination



with illumination



## Installation drawing



This is a metric design and millimeter dimensions take precedence ( $\frac{\text{mm}}{\text{inch}}$ )

**List of available legends**

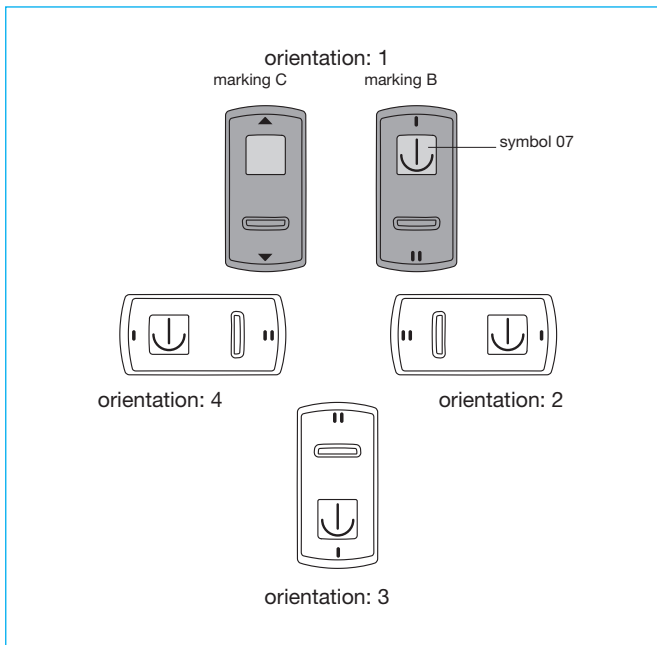
		Ordering information
Anchor		07
Windshield wiper		08
Bilge pump		09
Ventilation fan		12
Trim tabs		25
Mast lift		26

Further symbols upon request

**Ordering Information X3131-...**

<b>Type number</b>	
X3131	module for type 3131
<b>Actuator style</b>	
W	rocker soft-touch, two illumination windows
<b>Actuator colour</b>	
A	blue / white translucent
B	black / white translucent
C	skyblue / white translucent
<b>Rocker legends</b>	
00	without
...	see separate survey of legends
<b>Rocker marking</b>	
0	without
B	I and II
C	◀ and ▶ (orientation 1 only)
<b>Orientation</b>	
0	without orientation
1	orientation 1 (standard)
2	orientation 2
3	orientation 3
4	orientation 4
X3131 - W A 07 0 1 ordering example	

1



All dimensions without tolerances are for reference only. In the interest of improved design, performance and cost effectiveness the right to make changes in these specifications without notice is reserved. Product markings may not be exactly as the ordering codes. Errors and omissions excepted.